

PMB's TOM

TWIN ARM OVERROLLING MACHINE

TOM, is a basic cigar overrolling machine capable of wrapping practically all current cigar shapes with a natural wrapper at speeds of 40 to 60 cigars per minute. TOM utilizes two wrapper leaf carriers and one rolling device in order to achieve this output. So each leaf carrier runs only at half speed.

Corona and Perfecto shapes are wrapped in single lengths but Cigarillo and most other shapes can be wrapped in double lengths. After overrolling the cigar can be knurled, and if required, trimmed and/or middle cut.

In the design of TOM care has been taken to ensure that existing bunches and wrapper die cuts can be used. There are no changes necessary to either bunches and wrapper die cuts for all existing cigar models. In addition, particular attention devoted to reducing down time during model change over. Excluding the rolling device, a model change can be achieved in less than 5 hours.

TOM also utilizes existing field proven technology in a number of areas. Bunches are fed into TOM with the well known JL hopper bunch feeder to ensure a gentle and controlled bunch feed. The Bobbin Unwinding Device (BUD) includes a host of features from the well known BUD-90-G. The rewinding section is hinged such that it can be opened to remove a partly unwound bobbin if needed, a hand wheel allows axial displacement of the unit and fine adjustments can be made to the angle of the BUD.

In order to achieve better control of the wrapper leaf during overrolling, TOM has a servo driven rolling device, ensuring a perfect cigar is produced every time. By integrating the PLC into the servo drive it allows high speed communication between the units by means of a system-bus (CAN) and hence very tight system control is possible. Taking simplicity of operation into consideration, the all important human machine interface is via an operator friendly touch screen that has been developed with ease of use in mind.



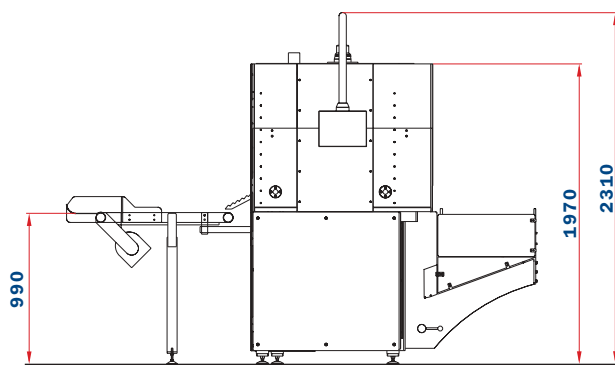
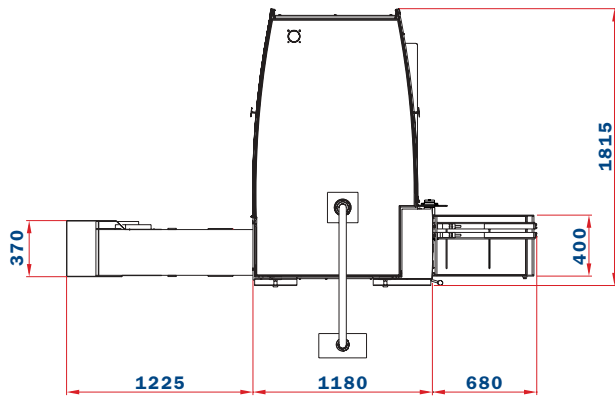
All parts in contact with tobacco are either made of corrosion resistant materials or coated with suitable protective coatings. As standard, all shafts are made of stainless steel. The machine is of open design and easily accessible for cleaning and maintenance. It is estimated that the whole machine can be cleaned in less than 15 minutes. To further reduce preventive maintenance downtime all bearings and gearboxes are sealed and maintenance free.

Specialists in machinery and equipment for the cigar industry



CREATIVE SUPPORT FOR YOUR BUSINESS

TECHNICAL DATA PMB'S TOM

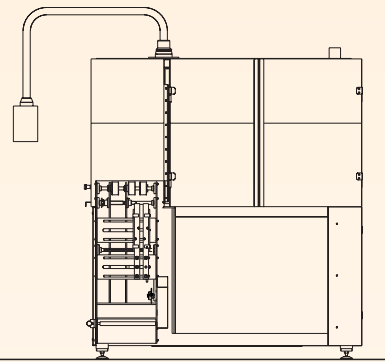


Product range PMB's TOM

Bunch diameter:	7-22 mm.
Bunch length:	70-230 mm.
For other dimensions contact PMB Tobacco.	

Options PMB's TOM

- Rapid bunch length adjustment on JL
- Knurling, cutting, knurling and middle cutting.
- Drying channel.



PMB's TOM

Machine speed:	Fully adjustable up to a maximum of 40-60 cycles per minute (depending on shape).
Production output:	Approximately 2,400 products per hour (single or double lengths, depending on shape).
Overall Dimensions:	1815 x 1180 x 1970 mm (see floor plan).
Approximate Weight:	2,000 kg.
Safety/guarding:	Compliant with CE/EMC and OSHA.
Noise level:	Below 78dB(A).
Power consumption:	Base machine 4,4 kVA.
Compressed air requirement:	Approximately ltr./min at 6 bar.
Vacuum requirement:	400 m3 per hour at 30 mbar.

Bobbin dimensions:

Bobbins with die-cut natural wrappers up to 350 mm in diameter. Recommended bobbin cores, minimum inner diameter: 70 mm, minimum outer diameter: 90 mm.

Head office:

PMB-UVA International B.V.	Meerenakkerweg 32
P.O. Box 7196, 5605 JD Eindhoven	5652 AV Eindhoven
The Netherlands	The Netherlands
Telephone +31 (0)40 2825000	uvapackaging@pmb-uva.com
Telefax +31 (0)40 2825001	www.pmb-uva.com

Sales and Service for USA and Canada:

PMB-UVA, Inc.	8111 Virginia Pine Ct.
P.O. Box 34410	Richmond, Virginia 23237
Richmond, Virginia 23234	United States of America
United States of America	uvapackaging@pmb-uvainc.com
Telephone +1 804 275 8067	www.pmb-uvainc.com
Telefax +1 804 271 3096	

The PMB policy is one of continuous development and, therefore, we reserve the right to alter the above specification without notice.



CREATIVE SUPPORT FOR YOUR BUSINESS



MEMBER OF VDL GROEP B.V.